

**MADE
IN AUSTRIA**



Silver medal
Inventions Vienna



Médaille d'argent
Inventions Genève



Worlddidac
Award



Silver
medal
Nuremberg

[**STANDBOHRMASCHINE ML**]

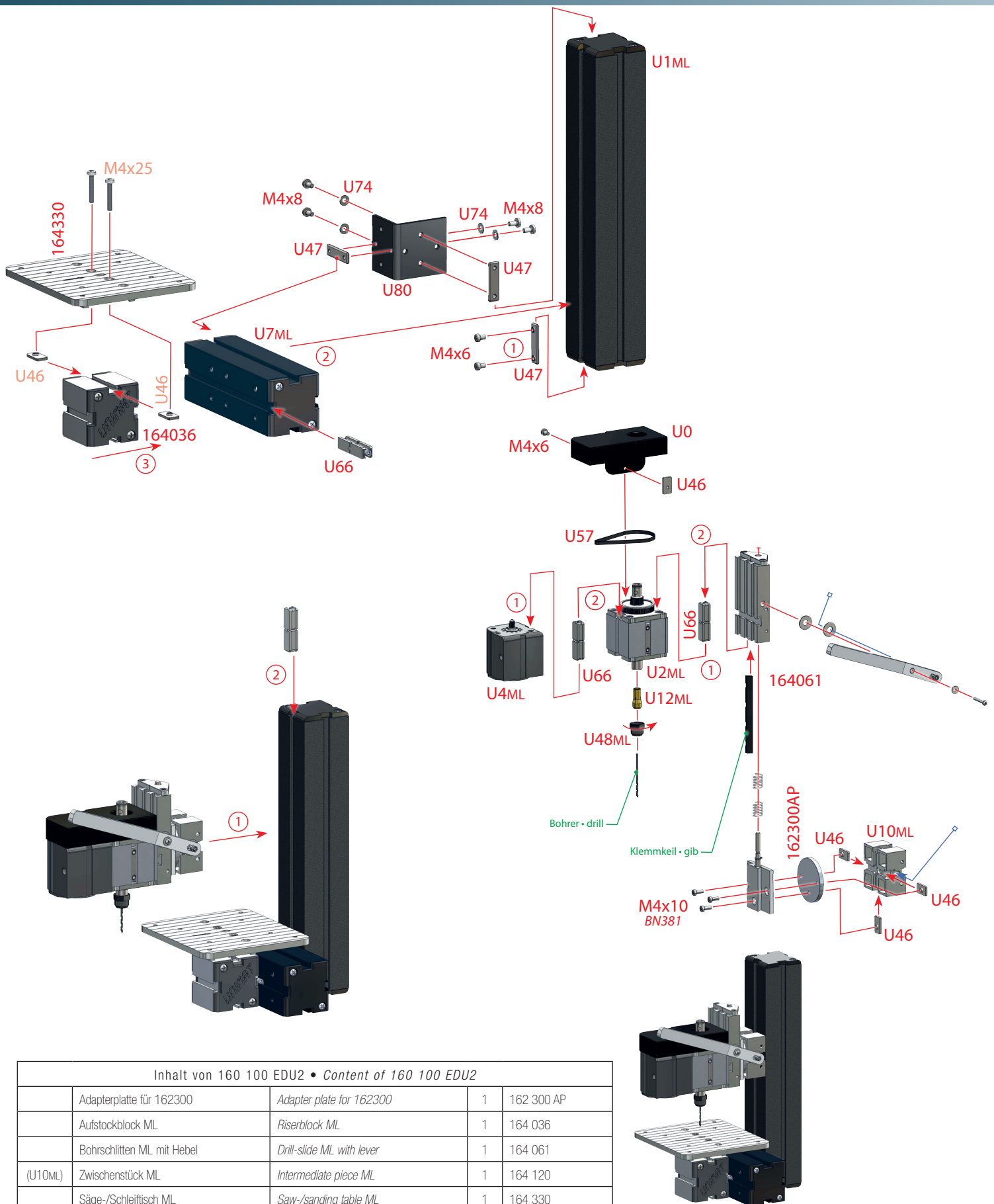
[**DRILL PRESS METAL LINE**]

[**PERCEUSE VERTICALE ML**]

[**MÁQUINA TALADRADORA ML**]

**art.no.: 160 100 EDU2
(166 025 MLE)**

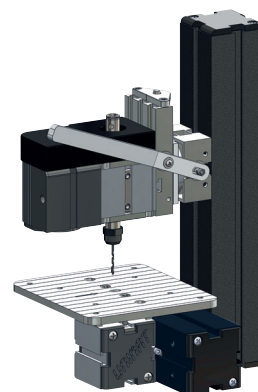
The TOOL est. 1982
**QUALITY
PRODUCT
MADE IN
AUSTRIA**



Inhalt von 160 100 EDU2 • Content of 160 100 EDU2

	Adapterplatte für 162300	Adapter plate for 162300	1	162 300 AP
	Aufstockblock ML	Riserblock ML	1	164 036
	Bohrschlitten ML mit Hebel	Drill-slide ML with lever	1	164 061
(U10ML)	Zwischenstück ML	Intermediate piece ML	1	164 120
	Säge-/Schleiftisch ML	Saw-/sanding table ML	1	164 330
U7ML	Maschinenbett kurz	Machine bed short ML	1	A1A 010 000
U47	Klemmplatte	Clamping plate	2	A1A 010 020
U46	Nutenstein	Slot nut	1	A1A 060 040
U80	Befestigungswinkel	Mounting angle	4	A1Z 480 000
U74	Beilagscheibe	Plain washer	5	ZSB 250 430
U38	Schraube M4x6	Screw M4x6	4	ZSR M40 406
U37	Schraube M4x8	Screw M4x8	1	ZSR M40 408

Vorbehaltlich Fehler • Errors excepted



The Cool Tool® est. 1982
 www.thecooltool.com
 Fabrikgasse 15 | 2340 Mödling
 Phone +43 2236 892 666 | AUSTRIA
 contact us at info@thecooltool.com